

GLIDELINE

ORIEL WINDOW





SPECIFICATION



SIGHTLINES

GLASS TO GLASS 20MM

GLAZING

30 MM

MAXIMUM DIMENSIONS

7M2

COLOUR

BLACK

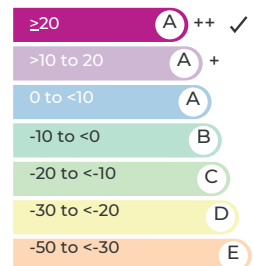
OPTIONS:

- SOLAR CONTROL GLAZING
- OPTIONAL GLASS ROOF
- OPTIONAL FRAME
- OPTIONAL CILL









BFRC Rating

kWh/(m².yr)



Double glazing

FEATURES

U value		Double glazing* Uw from 1.0 (W/m ² K)
Acoustic insulation		Rw up to 45 dB
Air permeability		Class 4
Water tightness		Class E1200
Wind resistance		Class CE 2400
Security test		Passed

CONFIGURATIONS



ORIEL WITH ROOF

- FULLY BONDED SYSTEM

THE GLASS ROOF ORIEL REQUIRES A COMPETANT INSTALLATION TEAM TO UNDERTAKE AS ITS A TECHNICAL INSTALL.



ORIEL WITHOUT ROOF

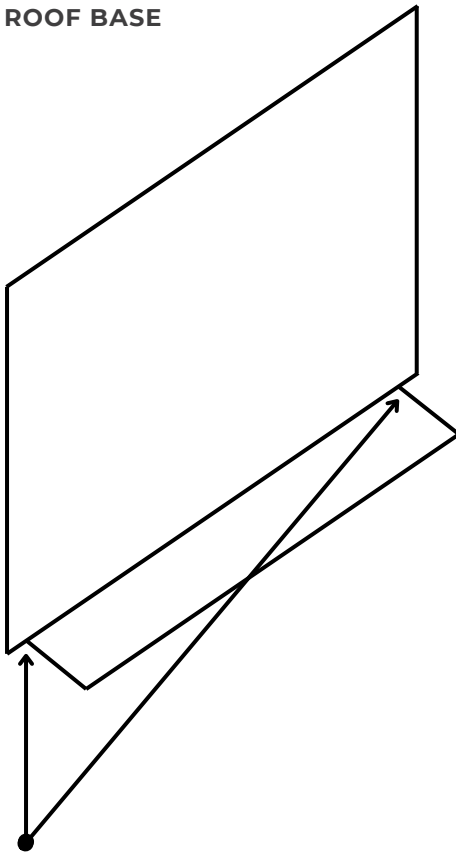
- FRAMED SYSTEM

THE FRAMED ORIEL IS AN EASIER INSTALL AND CAN BE FITTED WITH A CILL.

CONFIGURATIONS

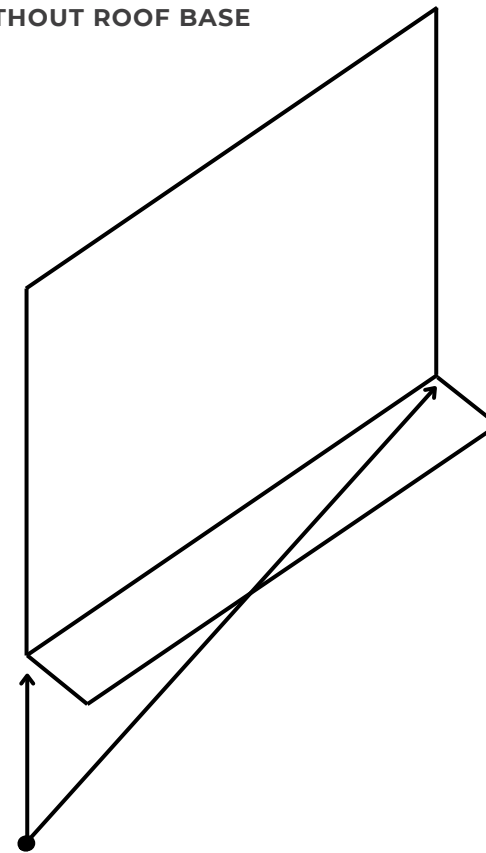


ORIEL WITH ROOF BASE



**IT IS IMPORTANT TO MAKE THE BASE
50MM SMALLER THEN THE OPENING
(25MM EITHER SIDE)**

ORIEL WITHOUT ROOF BASE

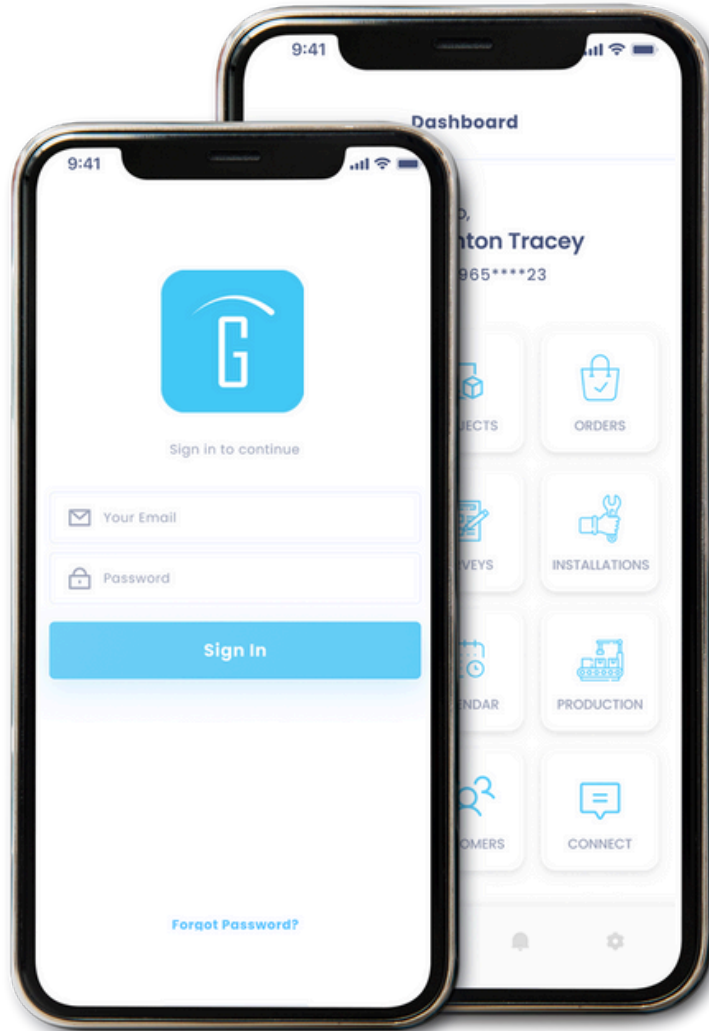


**THE BASE CAN SIT RIGHT TO THE EDGE
OR EVEN OVER THE EDGE OF THE
OPENING AS CILLS CAN BE USED**



GLIDELINE GO

KEEP UP TO DATE WITH YOUR
GLAZING PROJECTS WITH
GLIDELINE GO



Introducing GlidelineGO – the ultimate system designed to streamline your glazing order management process. With GlidelineGO, customers and trade partners can effortlessly create, track, and manage orders, while enjoying the convenience of approving drawings and making payments directly within the app.

Efficiency and ease-of-use are at the heart of GlidelineGO. Whether you're an architect, contractor, or glazing professional, this powerful app empowers you to take control of your glazing projects, ensuring a seamless experience from start to finish.





GLIDELINE